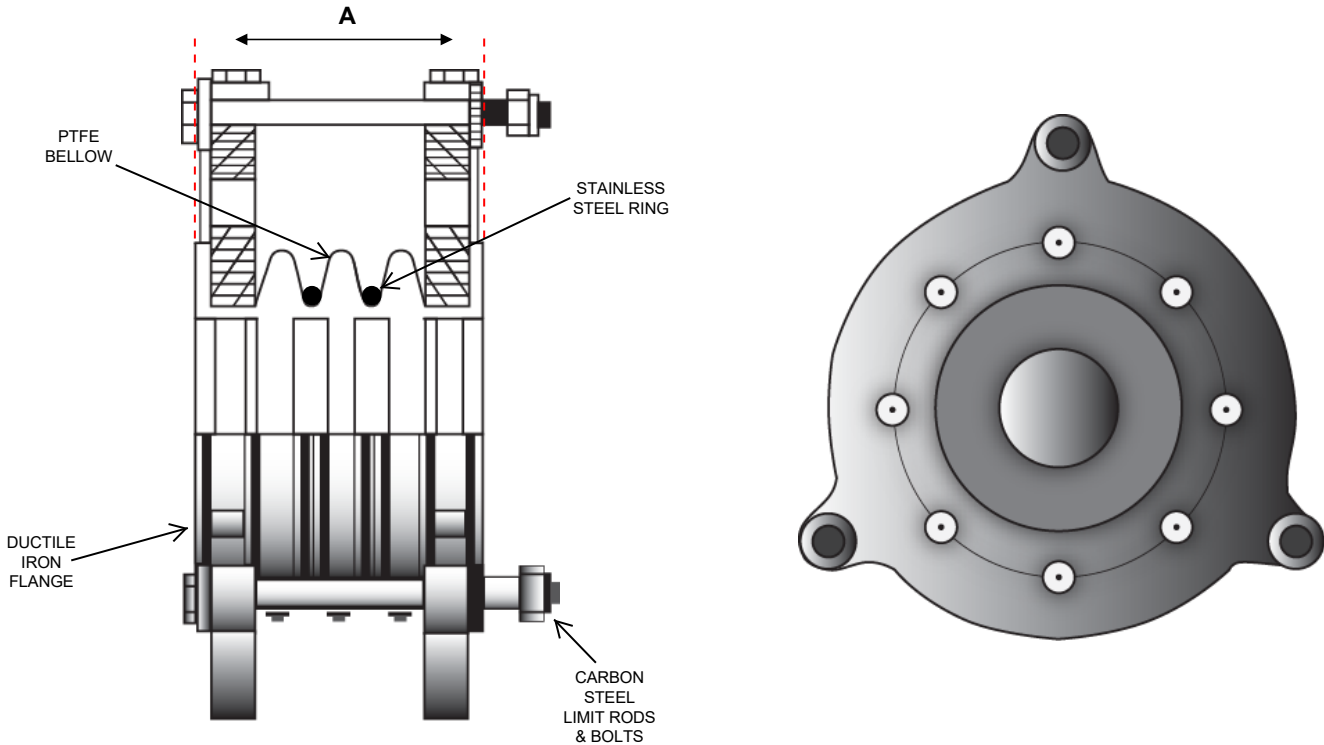


T3 PTFE EXPANSION JOINT



NOTE: FOR PROPER OPERATION ALL PIPING MUST BE PROPERLY ANCHORED AND GUIDED

| QTY | I.D. | MODEL NUMBER | "A" OAL | AXIAL MOVEMENT | LATERAL MOVEMENT | ANGULAR DEFLECTION | PSIG @ 70°F | WT. LBS. |
|-----|------|--------------|---------|----------------|------------------|--------------------|-------------|----------|
| 1 | 1 | T3-100 | 1.75 | 0.5" | .250" | 14° | 138 | 2 |
| 1.5 | 1.5 | T3-150 | 2 | 0.5" | .250" | 14° | 138 | 4 |
| 2 | 2 | T3-200 | 2.75 | .75" | .375" | 14° | 138 | 8 |
| 3 | 3 | T3-300 | 3.625 | 1" | .500" | 14° | 138 | 19 |
| 4 | 4 | T3-400 | 3.625 | 1" | .500" | 14° | 138 | 25 |
| 6 | 6 | T3-600 | 4 | 1.125" | .563" | 14° | 138 | 48 |
| 8 | 8 | T3-800 | 6 | 1.125" | .563" | 14° | 138 | 80 |
| 10 | 10 | T3-1000 | 7 | 1.188" | .500" | 14° | 82 | 105 |
| 12 | 12 | T3-1200 | 7.875 | 1.188" | .625" | 14° | 82 | 125 |

DRAWN BY:

DRAWING NUMBER:

REV:

SIGNATURE:

DATE:

PO NUMBER:

PROJECT:

CUSTOMER:

NOTES: