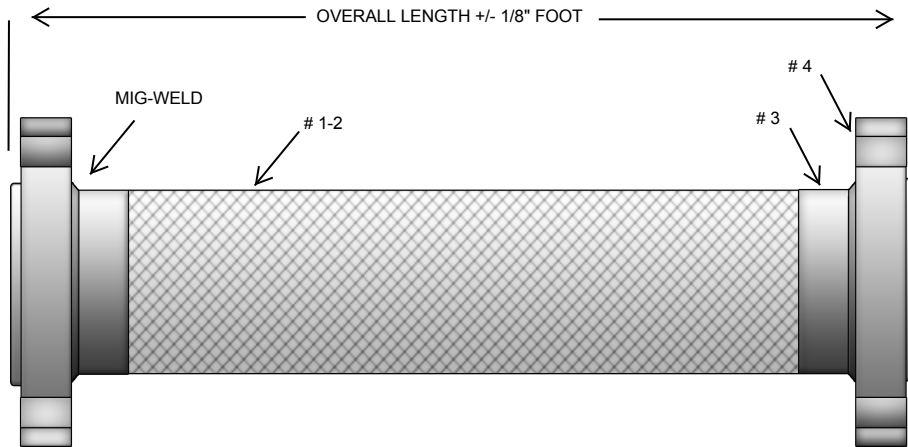




**TCHS RFSO FLG OPEN OAL**



**MATERIALS**

- #1-2 HOSE & BRAID: STAINLESS STEEL HOSE WITH 1-LAYER OF STAINLESS STEEL BRAID
- #3 BRAID COLLAR: STAINLESS STEEL
- #4 END FITTING: CARBON STEEL RFSO FLANGES 150# DRILL

QTY	MODEL NUMBER	SIZE	OAL	MIN. OAL	MAX O.D.	WRK. PSIG	@ TEMP.	LATERAL OFFSET
	TCHS-200-SOF-(XXX)-CRN	2"		11"	6"	285	70° F	
	TCHS-250-SOF-(XXX)-CRN	2 1/2"		11"	7"	285	70° F	
	TCHS-300-SOF-(XXX)-CRN	3"		11"	7 1/2"	167	70° F	
	TCHS-400-SOF-(XXX)-CRN	4"		11"	9"	167	70° F	
	TCHS-500-SOF-(XXX)-CRN	5"		13"	10"	134	70° F	
	TCHS-600-SOF-(XXX)-CRN	6"		13"	11"	134	70° F	
	TCHS-800-SOF-(XXX)-CRN	8"		14"	13 1/2"	230	70° F	
	TCHS-1000-SOF-(XXX)-CRN	10"		15"	16"	118	70° F	
	TCHS-1200-SOF-(XXX)-CRN	12"		16"	19"	118	70° F	

XXX = OAL - LATERAL OFFSET IS DEPENDANT ON OAL

TEMPERATURE DERATING FACTORS: MULTIPLY X WRK. PSIG					
200° F	300° F	400° F	500° F	600° F	700° F
0.9	0.82	0.7	0.59	0.49	0.43

DRAWN BY:

DRAWING NUMBER:

REV:

SIGNATURE:

DATE:

PO NUMBER:

PROJECT:

CUSTOMER:

NOTES: