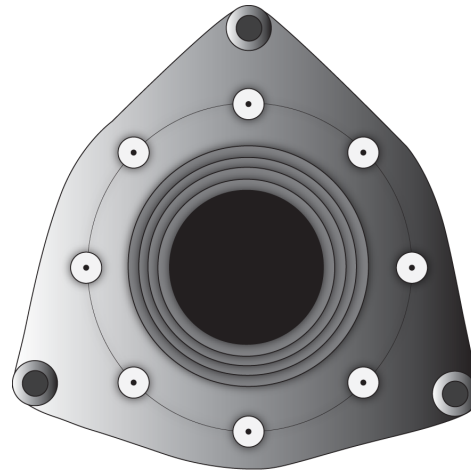
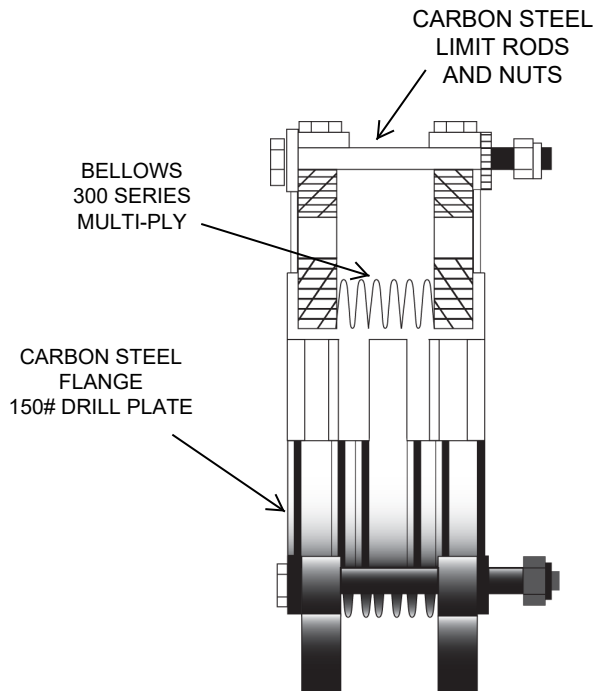


MPBR



NOTE: FOR PROPER OPERATION ALL PIPING MUST BE PROPERLY ANCHORED AND GUIDED

MAX TEMP : 850°F

| |
|-----------------------------|
| DESIGN DATA: |
| AXIAL COMPRESSION 1" |
| AXIAL EXTENSION 3/8" |
| LATERAL OFFSET 1/8" - 5/16" |
| DEPENDING ON SIZE |

| QTY | PIPE SIZE | MODEL NUMBER | OVERALL LENGTH | WORKING PRESSURE | | EFFECTIVE AREA IN. ² | APROX. WEIGHT |
|-----|-----------|--------------|----------------|------------------|--------|---------------------------------|---------------|
| | | | | 70° F | 360° F | | |
| | 2 | MPBR200 | 6" | 225 | 210 | 7 | 21 |
| | 2 1/2 | MPBR250 | 6" | 225 | 210 | 7 | 25 |
| | 3 | MPBR300 | 6" | 225 | 210 | 9 | 27 |
| | 4 | MPBR400 | 6" | 225 | 210 | 15 | 36 |
| | 5 | MPBR500 | 6" | 225 | 210 | 24 | 41 |
| | 6 | MPBR600 | 6" | 225 | 210 | 33 | 47 |
| | 8 | MPBR800 | 6" | 225 | 210 | 59 | 74 |
| | 10 | MPBR010 | 8" | 225 | 210 | 94 | 99 |
| | 12 | MPBR012 | 8" | 225 | 210 | 134 | 163 |
| | 14 | MPBR014 | 8" | 225 | 210 | 171 | 249 |
| | 16 | MPBR016 | 8" | 225 | 210 | 220 | 243 |

DRAWN BY:

DRAWING NUMBER:

REV:

SIGNATURE:

DATE:

PO NUMBER:

PROJECT:

CUSTOMER:

NOTES: