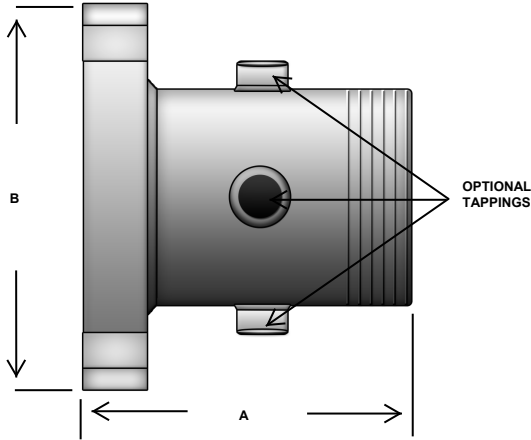
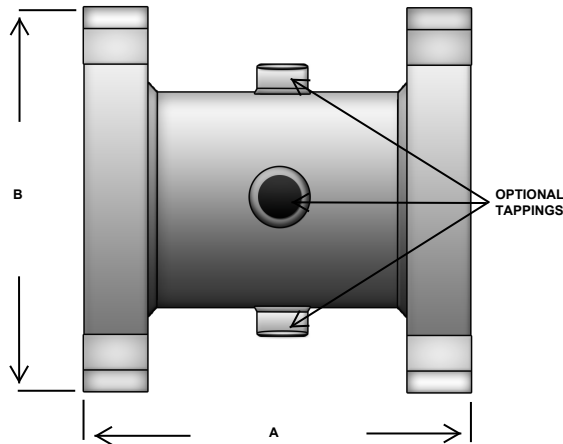
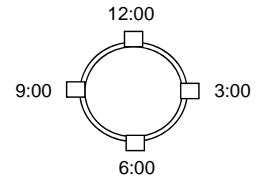


**STYLE FM - FF**



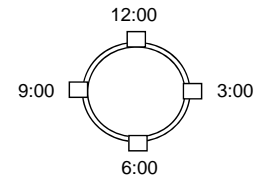
<b>STYLE: FM</b>						
<b>DIMENSIONS (NOMINAL)</b>						
<b>150# PLATE FLANGE X MALE NPT</b>						
SIZE	A	B	BOLTS	PART NUMBER****	PORTS	QTY
2 1/2"	6"	7.00"	4	FM250XXXX		
3"	6"	7.50"	4	FM300XXXX		
4"	6"	9.00"	8	FM400XXXX		
5"	6"	10.00"	8	FM500XXXX		
6"	6"	11.00"	8	FM600XXXX		
8"	6"	13.50"	8	FM800XXXX		

<b>SPECIFICATIONS</b>	
PSI/TEMPERATURE RATING:	125 PSIG @ 250 F.
BODY MATERIAL:	SCH. 40 STEEL PIPE
BODY TAPPINGS:	1/4" - 3/4" NPT 150# FEMALE COUPLINGS
FLANGES:	150# PLATE FLANGE



<b>STYLE: FF</b>						
<b>DIMENSIONS (NOMINAL)</b>						
<b>150# PLATE FLANGE X PLATE FLANGE</b>						
SIZE	A	B	BOLTS	PART NUMBER****	PORTS	QTY
2 1/2"	6"	7.00"	4	FF250XXXX		
3"	6"	7.50"	4	FF300XXXX		
4"	6"	9.00"	8	FF400XXXX		
5"	6"	10.00"	8	FF500XXXX		
6"	6"	11.00"	8	FF600XXXX		
8"	6"	13.50"	8	FF800XXXX		

<b>SPECIFICATIONS</b>	
PSI/TEMPERATURE RATING:	125 PSIG @ 250 F.
BODY MATERIAL:	SCH. 40 STEEL PIPE
BODY TAPPINGS:	1/4" - 3/4" NPT 150# FEMALE COUPLINGS
FLANGES:	150# PLATE FLANGE



\*\*LAST FOUR DIGITS XXXX ARE FOR OPTIONAL PORTS & LOCATION. MUST FILL IN LAST FOUR DIGITS .

	1ST	2ND	3RD	4TH	0= NO TAPPING
	12:00	3:00	6:00	9:00	1= 1/4" TAPPING
	X	X	X	X	2= 1/2" TAPPING
					3= 3/4" TAPPING

DRAWN BY:

DRAWING NUMBER:

REV:

SIGNATURE:

DATE:

PO NUMBER:

PROJECT:

CUSTOMER:

NOTES: