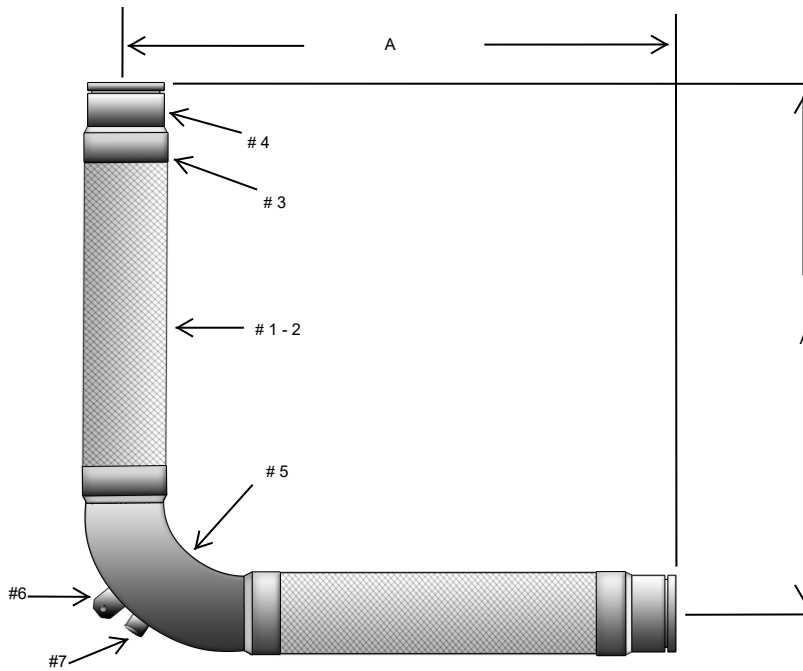


DOG LEG GROOVE END 2"



MATERIALS

- #1-2 HOSE: STAINLESS STEEL HOSE WITH 1-LAYER STAINLESS STEEL BRAID
 - #3 BRAID BAND: STAINLESS STEEL
 - #4 END FITTING: CARBON STEEL SCH. 40 GROOVED END
 - #5 ELBOWS: CARBON STEEL SCH. 40
 - #6 HANGER
 - #7 PORT (OPTIONAL):
- *12" ID AND LARGER ARE SCHEDULE STANDARD (STD)

QTY	MODEL #	SIZE	"A" DIM.	WRK. PSIG	MAX TEST	@ TEMP.	LATERAL OFFSET
	TCH-SDL200762	2"	21 1/2"	370	555	70°F	2"
	TCH-SDL250762	2 1/2"	21"	400	600	70°F	2"
	TCH-SDL300762	3"	22 3/4"	288	431	70°F	2"
	TCH-SDL400762	4"	26"	250	375	70°F	2"
	TCH-SDL500762	5"	31"	200	300	70°F	2"
	TCH-SDL600762	6"	32 1/2"	220	330	70°F	2"
	TCH-SDL800762	8"	41 1/4"	215	323	70°F	2"
	TCH-SDL010762	10"	45 3/4"	200	350	70°F	2"
	TCH-SDL012762	*12"	51"	160	240	70°F	2"

TEMPERATURE DERATING FACTORS: MULTIPLY X WRK. PSIG									
200° F	250° F	300° F	350° F	400° F	500° F	600° F	700° F	800° F	900° F
0.94	0.92	0.88	0.86	0.83	0.78	0.74	0.7	0.66	0.62

DRAWN BY:

DRAWING NUMBER:

REV:

SIGNATURE:

DATE:

PO NUMBER:

PROJECT:

CUSTOMER:

NOTES: