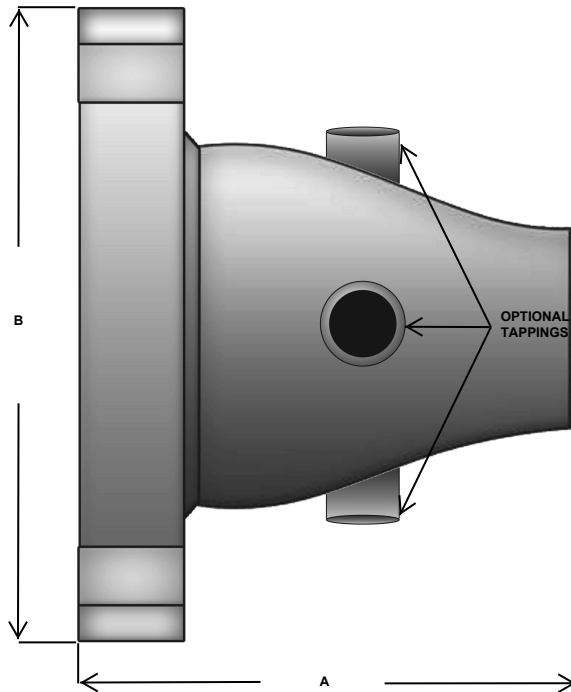
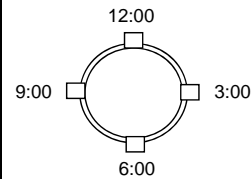


### STYLE RCAFW



<b>STYLE: RCAFW</b>							
<b>DIMENSIONS (NOMINAL)</b>							
<b>150# PLATE FLANGE X WELD END</b>							
<b>STRAIGHT REDUCER FLG X FLG</b>							
<b>LG END</b>	<b>SML END</b>	<b>A</b>	<b>B</b>	<b>BOLTS</b>	<b>PART NUMBER****</b>	<b>PORTS</b>	<b>QTY</b>
2 1/2"	1 1/4"	3.75"	7.00"	4	RCAFW2512XXXX		
2 1/2"	1 1/2"	3.75"	7.00"	4	RCAFW2515XXXX		
2 1/2"	2"	3.75"	7.00"	4	RCAFW2520XXXX		
3"	1 1/2"	3.75"	7.50"	4	RCAFW3015XXXX		
3"	2"	3.75"	7.50"	4	RCAFW3020XXXX		
4"	2"	4.25"	9.00"	4	RCAFW4020XXXX		

<b>SPECIFICATIONS</b>	
<b>PSI/TEMPERATURE RATING:</b>	125 PSIG @ 250 F.
<b>BODY MATERIAL:</b>	SCH. 40 CONCENTRIC REDUCER
<b>BODY TAPPINGS:</b>	1/4"- 3/4" NPT 150# FEMALE COUPLINGS
<b>FLANGE:</b>	150# PLATE FLANGE
<b>WELD END:</b>	SCH 40 CARBON STEEL



**LAST FOUR DIGITS XXXX ARE FOR OPTIONAL PORTS & LOCATION. MUST FILL IN LAST FOUR DIGITS .	<b>1ST</b>	<b>2ND</b>	<b>3RD</b>	<b>4TH</b>	<b>0= NO TAPPING</b> <b>1= 1/4" TAPPING</b> <b>2= 1/2" TAPPING</b> <b>3= 3/4" TAPPING</b>
	12:00	3:00	6:00	9:00	
	X	X	X	X	

DRAWN BY:

DRAWING NUMBER:

REV:

SIGNATURE:

DATE:

PO NUMBER:

PROJECT:

CUSTOMER:

NOTES: