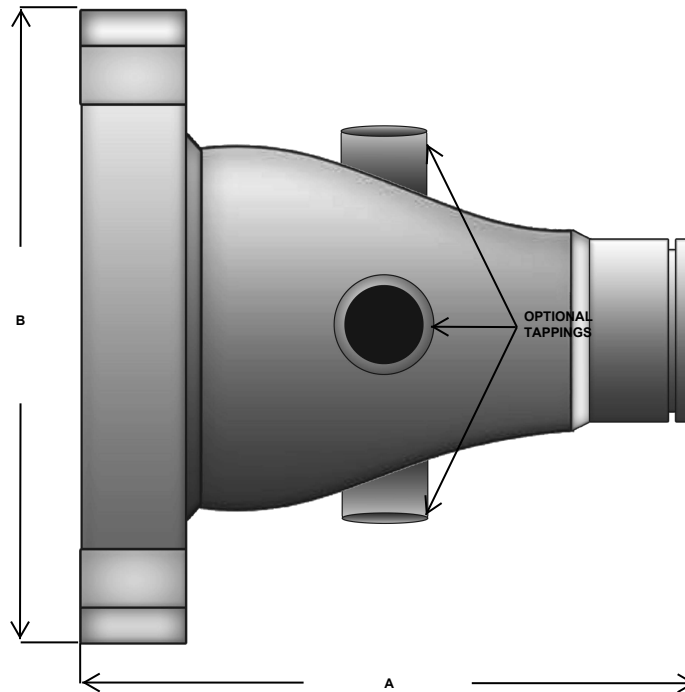
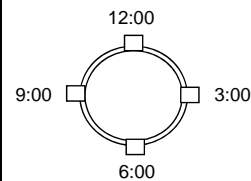


STYLE RCAFG



STYLE: RCAFG							
DIMENSIONS (NOMINAL)							
150# PLATE FLANGE X MALE NPT							
STRAIGHT REDUCER FLG X FLG							
LG END	SML END	A	B	BOLTS	PART NUMBER****	PORTS	QTY
2 1/2"	1 1/4"	6.75"	7.00"	4	RCAFG2512XXXX		
2 1/2"	1 1/2"	6.75"	7.00"	4	RCAFG2515XXXX		
2 1/2"	2"	6.75"	7.00"	4	RCAFG2520XXXX		
3"	1 1/2"	6.75"	7.50"	4	RCAFG3015XXXX		
3"	2"	6.75"	7.50"	4	RCAFG3020XXXX		
4"	2"	7.25"	9.00"	4	RCAFG4020XXXX		

SPECIFICATIONS	
PSI/TEMPERATURE RATING:	125 PSIG @ 250 F.
BODY MATERIAL:	SCH. 40 CONCENTRIC REDUCER
BODY TAPPINGS:	1/4"- 3/4" NPT 150# FEMALE COUPLINGS
FLANGE:	150# PLATE FLANGE
GROOVE:	SCH 40 CARBON STEEL



**LAST FOUR DIGITS XXXX ARE FOR OPTIONAL PORTS & LOCATION. MUST FILL IN LAST FOUR DIGITS .	1ST	2ND	3RD	4TH	0= NO TAPPING
	12:00	3:00	6:00	9:00	1= 1/4" TAPPING
	X	X	X	X	2= 1/2" TAPPING
					3= 3/4" TAPPING

DRAWN BY:

DRAWING NUMBER:

REV:

SIGNATURE:

DATE:

PO NUMBER:

PROJECT:

CUSTOMER:

NOTES: