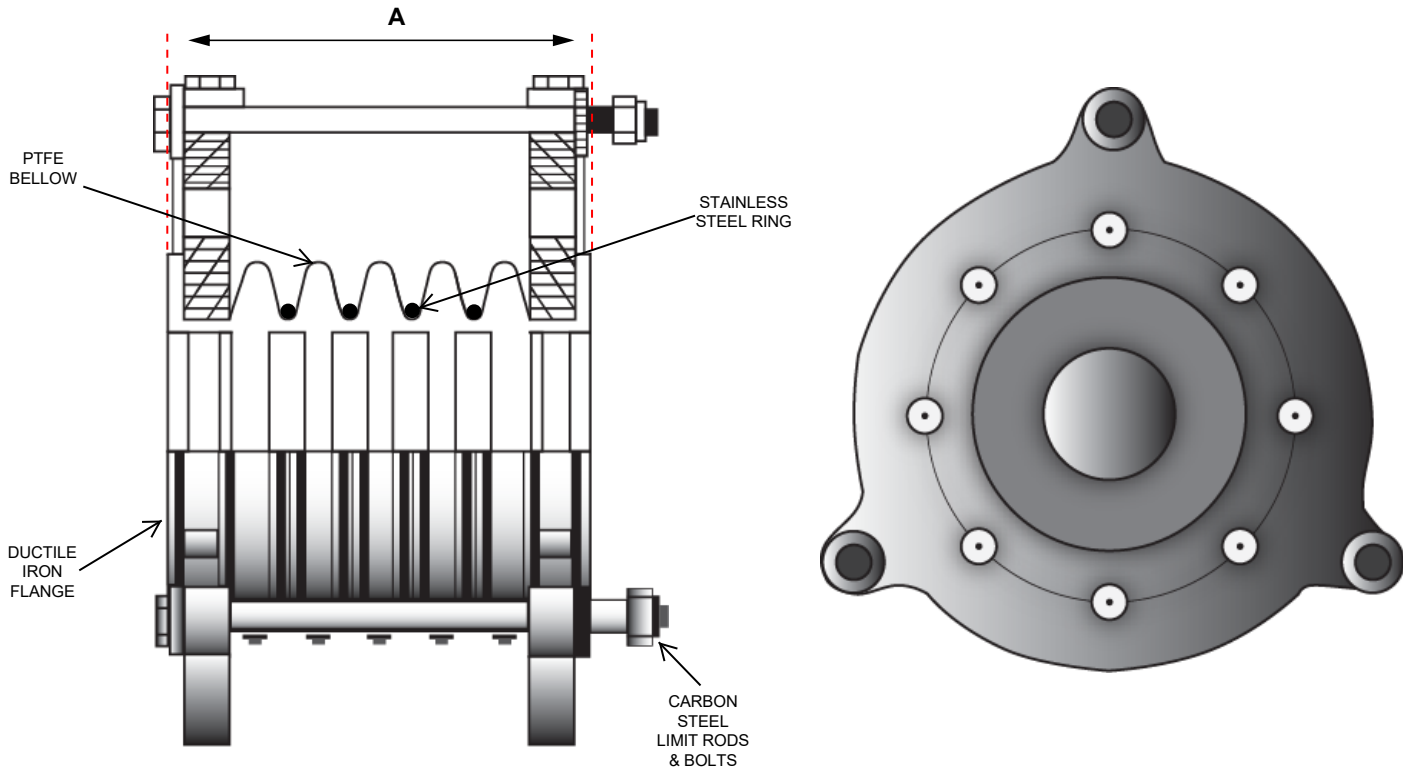


### T5 PTFE EXPANSION JOINT



**NOTE: FOR PROPER OPERATION ALL PIPING MUST BE PROPERLY ANCHORED AND GUIDED**

QTY	I.D.	MODEL NUMBER	"A" OAL	AXIAL MOVEMENT	LATERAL MOVEMENT	ANGULAR DEFLECTION	PSIG @ 70°F	WT. LBS.
1		T5-100	3	0.5	0.5	20°	72	2
1.5		T5-150	3.5	0.75	0.5	20°	72	5
2		T5-200	4	1	0.5	20°	72	9
3		T5-300	5	1	0.5	20°	72	14
4		T5-400	5.25	1.25	0.625	20°	72	20
6		T5-600	6	1.25	0.625	20°	72	31
8		T5-800	8	1.25	0.625	20°	48	50

DRAWN BY:

DRAWING NUMBER:

REV:

SIGNATURE:

DATE:

PO NUMBER:

PROJECT:

CUSTOMER:

NOTES: