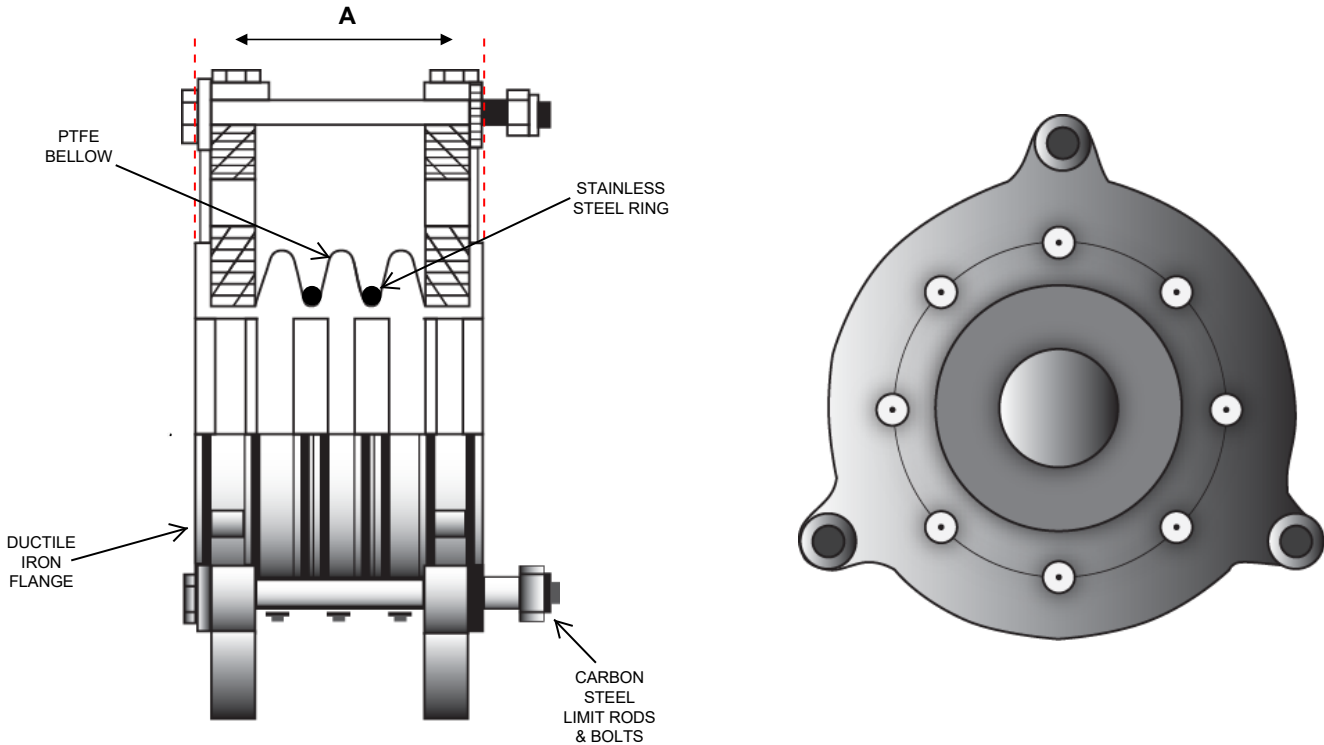


### T3 PTFE EXPANSION JOINT



**NOTE:** FOR PROPER OPERATION ALL PIPING MUST BE PROPERLY ANCHORED AND GUIDED

QTY	I.D.	MODEL NUMBER	"A" OAL	AXIAL MOVEMENT	LATERAL MOVEMENT	ANGULAR DEFLECTION	PSIG @ 70°F	WT. LBS.
1	1	T3-100	1.75	0.5"	.250"	14°	138	2
1.5	1.5	T3-150	2	0.5"	.250"	14°	138	4
2	2	T3-200	2.75	.75"	.375"	14°	138	8
3	3	T3-300	3.625	1"	.500"	14°	138	19
4	4	T3-400	3.625	1"	.500"	14°	138	25
6	6	T3-600	4	1.125"	.563"	14°	138	48
8	8	T3-800	6	1.125"	.563"	14°	138	80
10	10	T3-1000	7	1.188"	.500"	14°	82	105
12	12	T3-1200	7.875	1.188"	.625"	14°	82	125

DRAWN BY:

DRAWING NUMBER:

REV:

SIGNATURE:

DATE:

PO NUMBER:

PROJECT:

CUSTOMER:

NOTES: