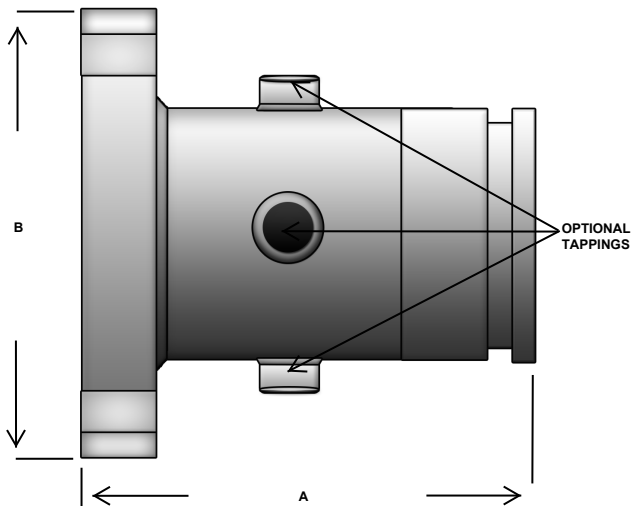
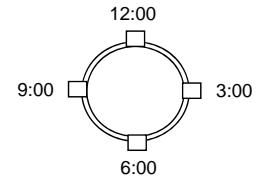


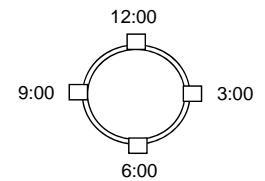
<b>STYLE: FW</b>						
<b>DIMENSIONS (NOMINAL)</b>						
<b>150# PLATE FLANGE X WELD END</b>						
SIZE	A	B	BOLTS	PART NUMBER****	PORTS	QTY
2 1/2"	6.00"	7.00"	4	FW250XXXX		
3"	6.00"	7.50"	4	FW300XXXX		
4"	6.00"	9.00"	8	FW400XXXX		
5"	6.00"	10.00"	8	FW500XXXX		
6"	6.00"	11.00"	8	FW600XXXX		
8"	6.00"	13.50"	8	FW800XXXX		

<b>SPECIFICATIONS</b>	
PSI/TEMPERATURE RATING:	125 PSIG @ 250° F
BODY MATERIAL:	SCH. 40 STEEL PIPE
BODY TAPPINGS:	1/4"- 3/4" NPT 150# FEMALE COUPLINGS
FLANGES:	150# PLATE FLANGE



<b>STYLE: FG</b>						
<b>DIMENSIONS (NOMINAL)</b>						
<b>150# PLATE FLANGE X GROOVE END</b>						
SIZE	A	B	BOLTS	PART NUMBER****	PORTS	QTY
2 1/2"	6.00"	7.00"	4	FG250XXXX		
3"	6.00"	7.50"	4	FG300XXXX		
4"	6.00"	9.00"	8	FG400XXXX		
5"	6.00"	10.00"	8	FG500XXXX		
6"	6.00"	11.00"	8	FG600XXXX		
8"	6.00"	13.50"	8	FG800XXXX		

<b>SPECIFICATIONS</b>	
PSI/TEMPERATURE RATING:	125 PSIG @ 250° F
BODY MATERIAL:	SCH. 40 STEEL PIPE
BODY TAPPINGS:	1/4"- 3/4" NPT 150# FEMALE COUPLINGS
FLANGES:	150# PLATE FLANGE



\*\*LAST FOUR DIGITS XXXX ARE FOR OPTIONAL PORTS & LOCATION. MUST FILL IN LAST FOUR DIGITS .

1ST	2ND	3RD	4TH	
12:00	3:00	6:00	9:00	
X	X	X	X	
				0= NO TAPPING 1= 1/4" TAPPING 2= 1/2" TAPPING 3= 3/4" TAPPING

DRAWN BY:

DRAWING NUMBER:

REV:

SIGNATURE:

DATE:

PO NUMBER:

PROJECT:

CUSTOMER:

NOTES: