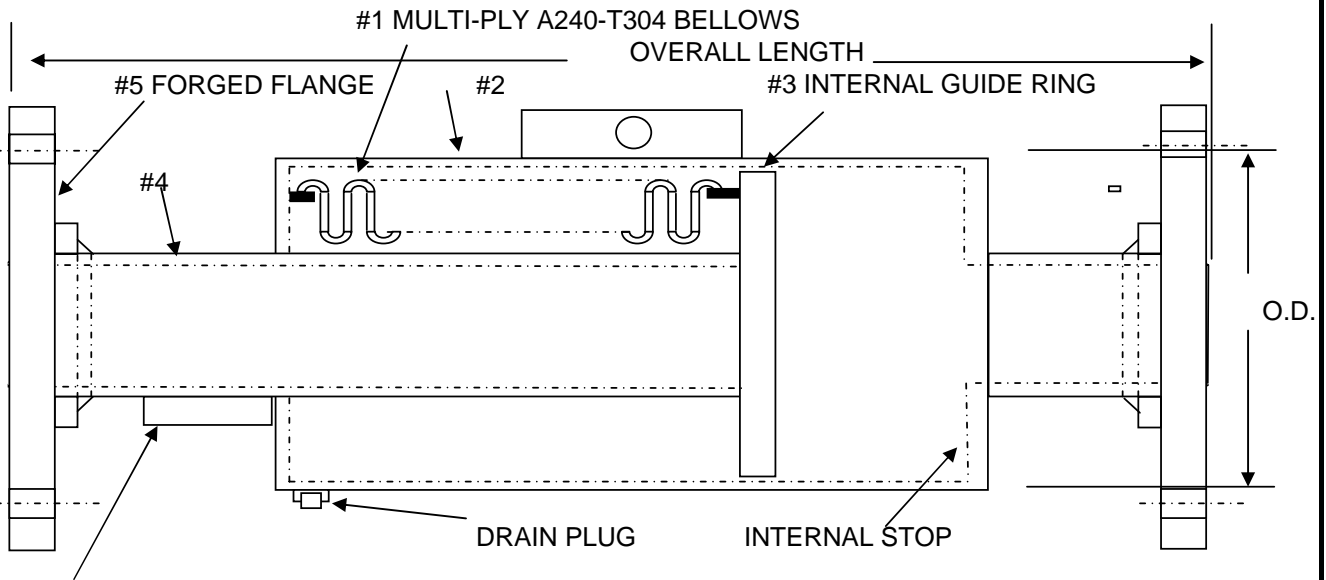




TFEP3F(4)



SHIPPING BAR REMOVE AFTER INSTALLATION

NOTE:
FOR PROPER OPERATION ALL PIPING MUST BE PROPERLY ANCHORED AND GUIDED

CONSTRUCTION		
P/N#	DESCRIPTION	MATERIALS
1	BELLOWS	3-PLY-A240-304
2	PIPE	A-53/106 C.S.
3	GUIDE RING	A285-GR. C
4	WELD END	A-53/106 C.S.
5	FLANGE	300# B16.5 C.S.

QTY	SIZE	OVERALL LENGTH	MAX PSIG	AXIAL COMP.	AXIAL EXT.	OUTSIDE DIAMETER	EFFECTIVE AREA IN.SQ.	WEIGHT (LBS.)
	2"	31"	300	4"	3/4"	6-5/8"	16	82
	2-1/2"	31"	300	4"	3/4"	6-5/8"	16	95
	3"	31"	300	4"	3/4"	6-5/8"	16	109
	4"	31"	300	4"	3/4"	8-5/8"	35	185
	5"	31"	300	4"	3/4"	10-3/4"	35	205
	6"	31"	300	4"	3/4"	10-3/4"	54	230
	8"	32"	300	4"	3/4"	12-3/4"	88	400
	10"	32"	300	4"	3/4"	14"	118	465
	12"	32"	300	4"	3/4"	16"	163	610

NOTE: PRESSURE THRUST= EFFECTIVE AREA X THE MAXIMUM WORKING PRESSURE.

CUSTOMER:	
PROJECT:	
ENGINEER:	
PO#:	

TWIN CITY HOSE, INC 20615 COMMERCE BLVD. ROGERS, MN 55374