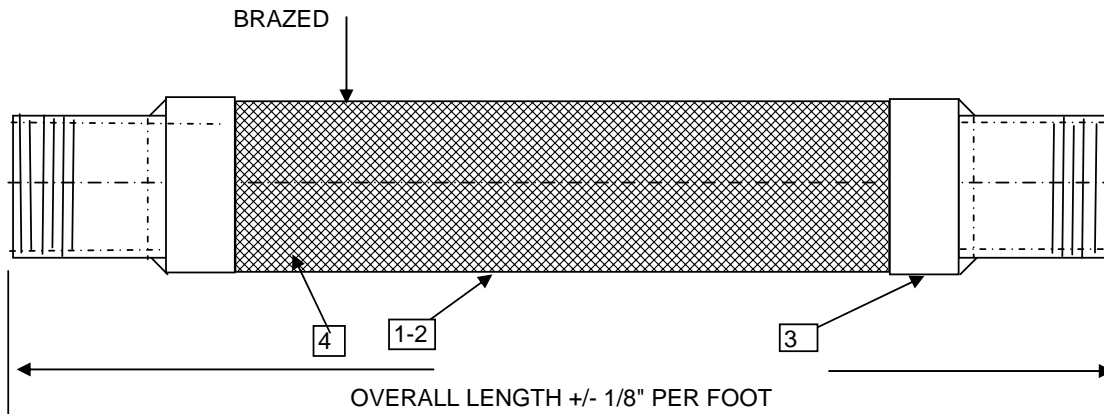




TCHB-MMT



MATERIALS:

#1-2 HOSE: 300 SERIES BRONZE HOSE 1-LAYER BRONZE BRAID

#3 BRAID COLLAR: COPPER

#4 MALE NPT: SCH. 40 CARBON STEEL

QTY	MODEL NUMBER	SIZE	OVERALL LENGTH	WRK. PSIG	TEMP	MAX TEST	LATERAL OFFSET
	TCHB-025-MMT	1/4"	6"	934	70°F	1401	1/16"
	TCHB-038-MMT	3/8"	6"	704	70°F	1056	1/16"
	TCHB-050-MMT	1/2"	6-1/2"	566	70°F	849	1/16"
	TCHB-075-MMT	3/4"	7"	468	70°F	702	1/16"
	TCHB-100-MMT	1"	8"	334	70°F	501	1/16"
	TCHB-125-MMT	1-1/4"	8-1/2"	306	70°F	459	1/16"
	TCHB-150-MMT	1-1/2"	9"	297	70°F	446	1/16"
	TCHB-200-MMT	2"	10-1/2"	210	70°F	315	1/16"
	TCHB-250-MMT	2-1/2"	12"	194	70°F	291	1/16"
	TCHB-300-MMT	3"	12"	166	70°F	249	1/16"
	TCHB-400-MMT	4"	12"	145	70°F	218	1/16"

TEMPERATURE DERATING FACTORS: MULTIPLY X WRK. PSIG

150° F	200° F	250° F	300° F	350° F	400° F	500° F
0.92	0.89	0.86	0.83	0.81	0.78	0.75

CUSTOMER:	
PROJECT:	
ENGINEER:	
PO#:	

TWIN CITY HOSE, INC 20615 COMMERCE BLVD. ROGERS, MN 55374

Phone 800-670-9475 Fax 763-428-5111 www.twincityhose.com