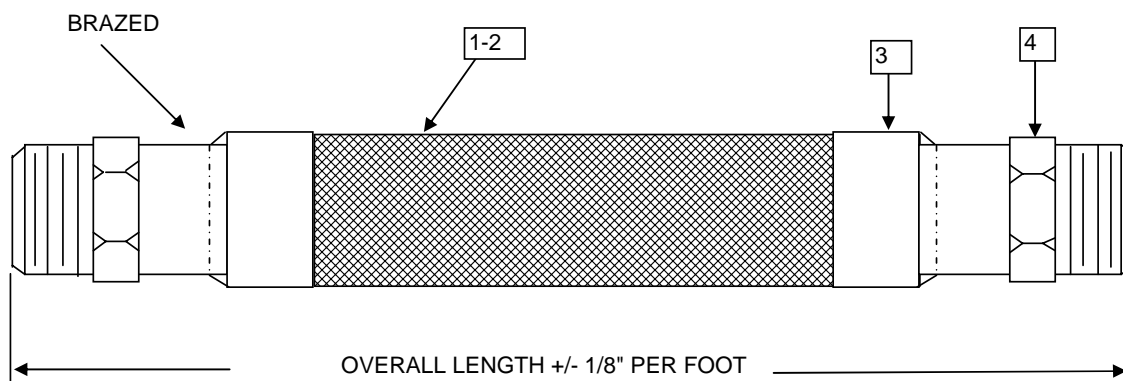




TCHB-CHMMT



MATERIALS:

#1-2 HOSE: 300 SERIES BRONZE HOSE 1-LAYER BRONZE BRAID

#3 BRAID COLLAR: COPPER

#4 MALE NPT: COPPER HEX MALE

QTY	MODEL NUMBER	SIZE	OVERALL LENGTH	WRK PSIG	@ TEMP	MAX TEST	LATERAL OFFSET
	TCHB-025-CHMMT	1/4"	6"	1287	70° F	1931	1/16"
	TCHB-038-CHMMT	3/8"	6"	464	70° F	696	1/16"
	TCHB-050-CHMMT	1/2"	6-1/2"	487	70° F	731	1/16"
	TCHB-075-CHMMT	3/4"	7"	572	70° F	858	1/16"
	TCHB-100-CHMMT	1"	8"	267	70° F	401	1/16"
	TCHB-125-CHMMT	1-1/4"	8-1/2"	243	70° F	365	1/16"
	TCHB-150-CHMMT	1-1/2"	9"	251	70° F	377	1/16"
	TCHB-200-CHMMT	2"	10-1/2"	167	70° F	251	1/16"
	TCHB-250-CHMMT	2-1/2"	12"	194	70° F	291	1/16"
	TCHB-300-CHMMT	3"	12"	166	70° F	249	1/16"
	TCHB-400-CHMMT	4"	12"	145	70° F	218	1/16"

TEMPERATURE DERATING FACTORS: MULTIPLY X WRK. PSIG

150° F	200° F	250° F	300° F	350° F	400° F	500° F
0.92	0.89	0.86	0.83	0.81	0.78	0.75

CUSTOMER:

PROJECT:

ENGINEER:

PO#:

TWIN CITY HOSE, INC 20615 COMMERCE BLVD. ROGERS, MN 55374

Phone 800-670-9475 Fax 763-428-5111 www.twincityhose.com