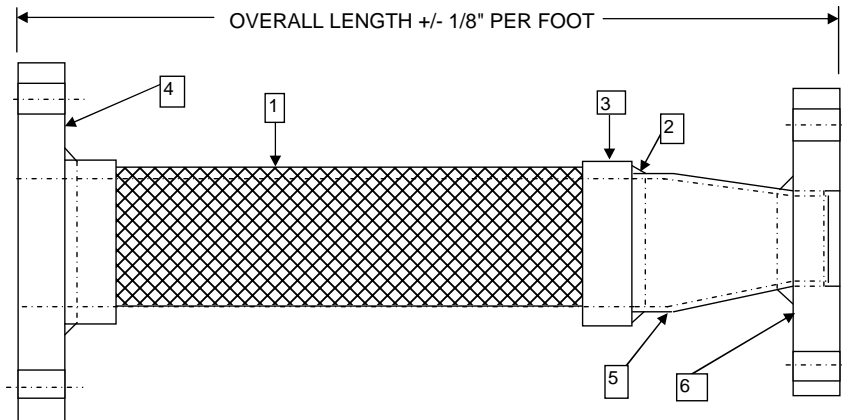


RCFF



MATERIALS:

#1 HOSE & BRAID: T-321 STAINLESS STEEL HOSE & 1 LAYER STAINLESS STEEL BRAID

#2 #3 BRAID COLLAR: STAINLESS STEEL HELI-ARC WELD/ MIG WELD
STAINLESS STEEL BRAID COLLAR

#4 #6 FITTINGS: 150# CARBON STEEL PLATE FLANGE-FLAT FACE
150# CARBON STEEL PLATE FLANGE-FLAT FACE REDUCED END

#5 REDUCER: SCH 40 CARBON STEEL CONCENTRIC WELD REDUCER

QTY	MODEL NUMBER	DESCRIPTION	WRK PSI	@ TEMP	LATERAL OFFSET	LARGE END SIZE	SMALL END SIZE
	RCFF1210	12"X10"X20" OAL REDUCER	155	70° F	3/16"	12"	10"
	RCFF1008	10"X8"X18" OAL REDUCER	165	70° F	3/16"	10"	8"
	RCFF1006	10"X6"X18" OAL REDUCER	165	70° F	3/16"	10"	6"
	RCFF0806	8"X6"X18" OAL REDUCER	217	70° F	1/4"	8"	6"
	RCFF0805	8"X5"X18" OAL REDUCER	217	70° F	1/4"	8"	5"
	RCFF0804	8"X4"X18" OAL REDUCER	217	70° F	1/4"	8"	4"
	RCFF0605	6"X5"X17" OAL REDUCER	240	70° F	3/8"	6"	5"
	RCFF0604	6"X4"X17" OAL REDUCER	240	70° F	3/8"	6"	4"
	RCFF0603	6"X3"X17" OAL REDUCER	240	70° F	3/8"	6"	3"
	RCFF0504	5"X4"X16" OAL REDUCER	210	70° F	3/8"	5"	4"
	RCFF0503	5"X3"X16" OAL REDUCER	210	70° F	3/8"	5"	3"
	RCFF0525	5"X2-1/2"X16" OAL REDUCER	210	70° F	3/8"	5"	2-1/2"
	RCFF0403	4"X3"X13" OAL REDUCER	285	70° F	3/8"	4"	3"
	RCFF0425	4"X2-1/2"X13" OAL REDUCER	285	70° F	3/8"	4"	2-1/2"
	RCFF0402	4"X2"X13" OAL REDUCER	285	70° F	3/8"	4"	2"
	RCFF0325	3"X2-1/2"X13" OAL REDUCER	450	70° F	3/8"	3"	2-1/2"
	RCFF0302	3"X2"X13" OAL REDUCER	450	70° F	3/8"	3"	2"
	RCFF0315	3"X1-1/2"X13" OAL REDUCER	450	70° F	3/8"	3"	1-1/2"
	RCFF2502	2-1/2"X2"X13" OAL REDUCER	570	70° F	3/8"	2-1/2"	2"
	RCFF2515	2-1/2"X1-1/2"X13" OAL REDUCER	570	70° F	3/8"	2-1/2"	1-1/2"

TEMPERATURE DERATING FACTORS: MULTIPLY X WRK PSIG

200° F	250° F	300° F	350° F	400° F	500° F	600° F	700° F
0.94	0.92	0.88	0.86	0.83	0.78	0.74	0.7

CUSTOMER:	
PROJECT:	
ENGINEER:	
PO#:	

TWIN CITY HOSE, INC 20615 COMMERCE BLVD. ROGERS, MN 55374

Phone 800-670-9475 Fax 763-428-5111 www.twincityhose.com