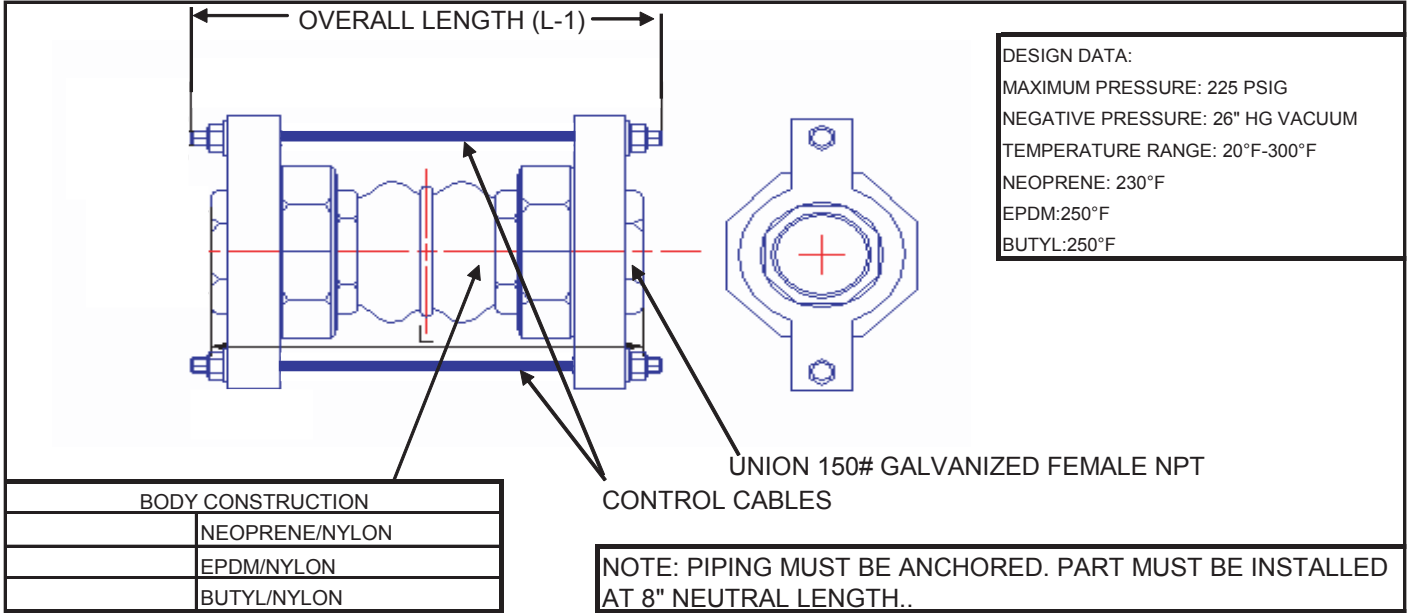


MSFU with Cables



CUSTOMER REF #	QTY REQ'D	MODEL NUMBER	PIPE SIZE	L-1 JOINT LENGTH	APPROX. WT LBS.	LATERAL DEF.	AXIAL EXT.	AXIAL COMP.	ANGULAR DEF.
		MSFU-2-3/4	3/4"	8"	1.6	7/8"	1/4"	7/8"	32°
		MSFU-2-1	1"	8"	2.6	7/8"	1/4"	7/8"	25°
		MSFU-2-1-1/4	1-1/4"	8"	3.3	7/8"	1/4"	7/8"	21°
		MSFU-2-1-1/2	1-1/2"	8"	4	7/8"	1/4"	7/8"	17°
		MSFU-2-2	2"	8"	5.5	7/8"	1/4"	7/8"	13°
		MSFU-2-2-1/2	2-1/2"	8"	9.5	7/8"	1/4"	7/8"	11°
		MSFU-2-3	3"	8"	10.6	7/8"	1/4"	7/8"	9°

CUSTOMER:	
PROJECT:	
ENGINEER:	
PO#:	