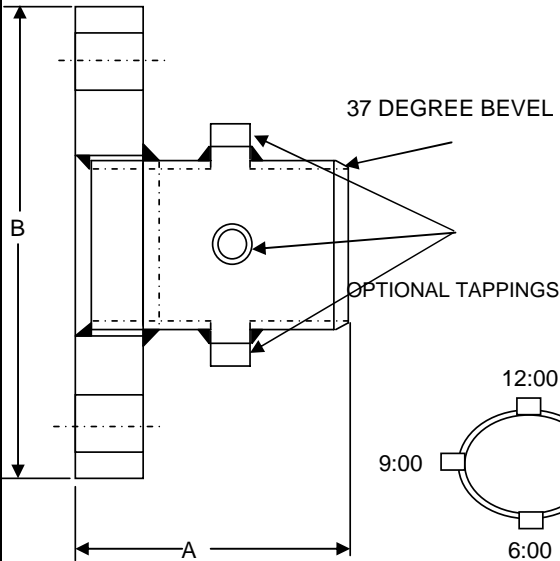




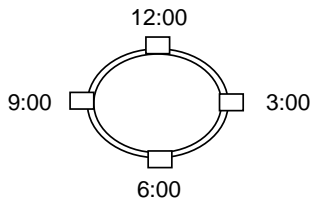
STYLE: FW



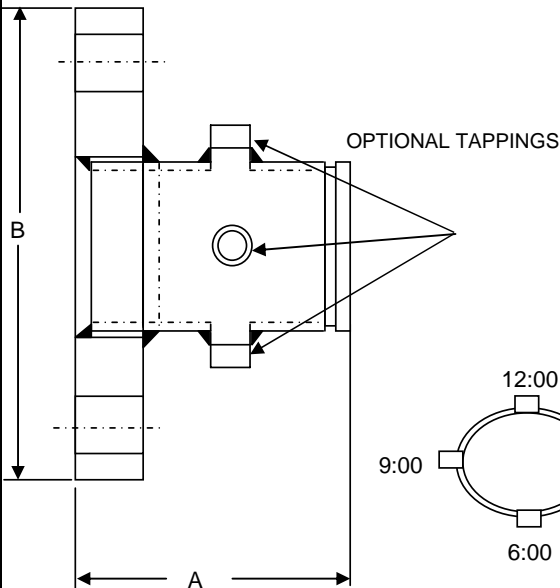
STYLE: FW						
DIMENSIONS (NOMINAL)						
150# PLATE FLANGE X WELD END						
QTY	SIZE	A	B	BOLTS	PART NUMBER**	Ports
	2-1/2"	6.00"	7.00"	4	FW250XXXX	
	3"	6.00"	7.50"	4	FW300XXXX	
	4"	6.00"	9.00"	8	FW400XXXX	
	5"	6.00"	10.00"	8	FW500XXXX	
	6"	6.00"	11.00"	8	FW600XXXX	
	8"	6.00"	13.50"	8	FW800XXXX	

SPECIFICATIONS:

PSI/TEMPERATURE RATING: 125 PSIG @ 250 F.
BODY MATERIAL: SCH. 40 STEEL PIPE
BODY TAPPINGS: 1/4"-3/4" NPT 150# FEMALE COUPLINGS
FLANGES: 150# PLATE FLANGE



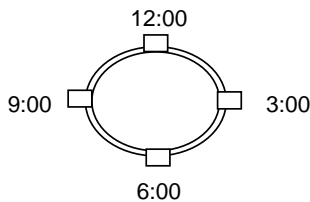
STYLE: FG



STYLE: FG						
DIMENSIONS (NOMINAL)						
150# PLATE FLANGE X GROOVE END						
QTY	SIZE	A	B	BOLTS	PART NUMBER**	Ports
	2-1/2"	6.00"	7.00"	4	FG250XXXX	
	3"	6.00"	7.50"	4	FG300XXXX	
	4"	6.00"	9.00"	8	FG400XXXX	
	5"	6.00"	10.00"	8	FG500XXXX	
	6"	6.00"	11.00"	8	FG600XXXX	
	8"	6.00"	13.50"	8	FG800XXXX	

SPECIFICATIONS:

PSI/TEMPERATURE RATING: 125 PSIG @ 250 F.
BODY MATERIAL: SCH. 40 STEEL PIPE
BODY TAPPINGS: 1/4"-3/4" NPT 150#
FLANGES: 150# PLATE FLANGE



**LAST FOUR DIGITS XXXX ARE FOR OPTIONAL PORTS & LOCATION. MUST FILL IN LAST FOUR DIGITS .

				0= NO TAPPING
1ST	2ND	3RD	4TH	1= 1/4" TAPPING
12:00	3:00	6:00	9:00	2= 1/2" TAPPING
X	X	X	X	3= 3/4" TAPPING

CUSTOMER:	
PROJECT:	
ENGINEER:	
PO#:	

TWIN CITY HOSE, INC 20615 COMMERCE BLVD. ROGERS, MN 55374